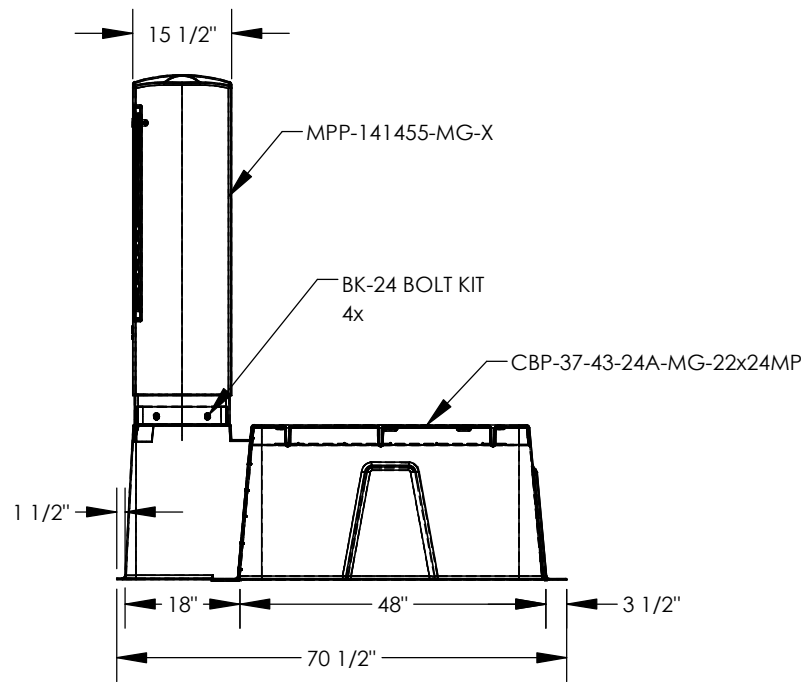
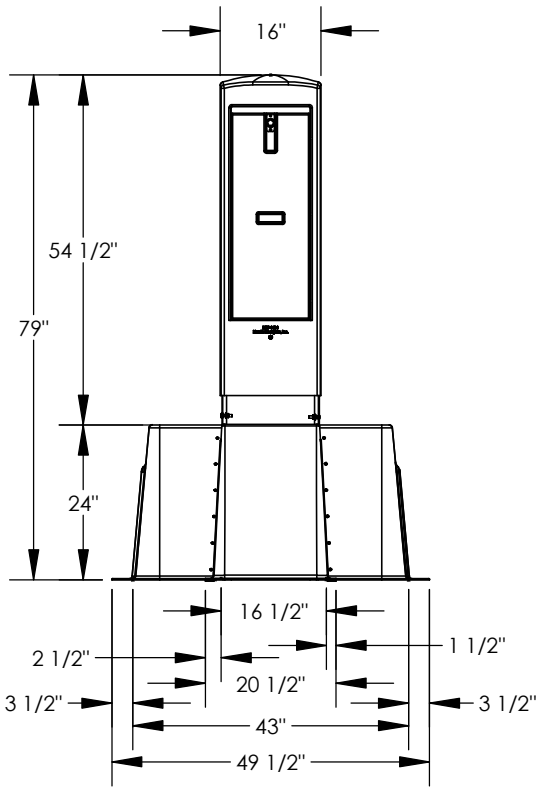
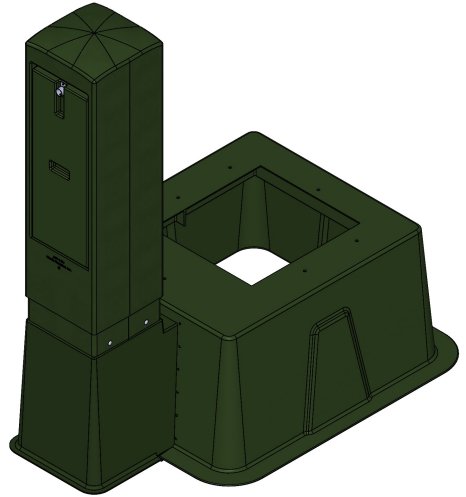
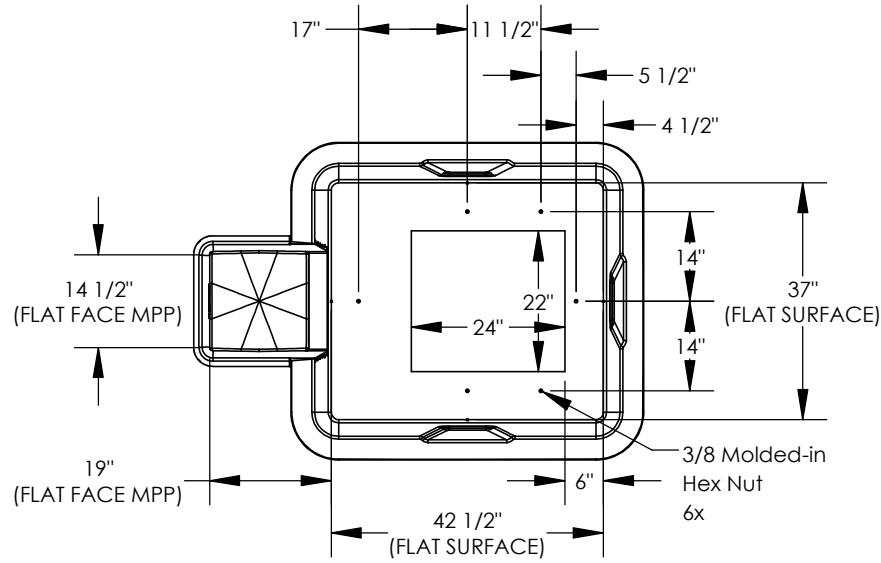


REVISIONS			
REV.	DESCRIPTION	DATE	APPROVED



**Includes (4) BK-24 Bolt Kits (Shipped with CBP-37-43-24A-MG-22x24-MP)**

- BK-24 Bolt Kit Includes:
- (1) 3/8-1 6x1.5 SST CH Bolt
  - (1) 3/8 SST Flat Washer
  - (1) 3/8 SST Lock Washer
  - (1) 3/8 SST Hex Nut

NOTE:  
MPP-141455-MG-X Shipped Separate

**Nordic Fiberglass, Inc.**

21415 US Hwy 75 NW, Warren, MN 56762  
www.nordicfiberglass.com  
218-745-5095 ph. --- 218-745-4990 fax

CBP-37-43-24A-MP-MG-22x24

Customer Name: N/A		
DIMENSIONS ARE IN INCHES		
TOLERANCES: ANGLES ± 1°		
FRACTIONAL ± 1/32		
ONE PLACE DECIMAL ±.060		
TWO PLACE DECIMAL ±.030		
THREE PLACE DECIMAL ±.015		
MATERIAL		
DRAWN	NAME	DATE
CHECKED	---	--/--
	SRD	05/11/2022

SIZE	ITEM ID:	REV.
A	00818.01	REL-01
SCALE: 1:30	SHEET 1 OF 1	

**PROPRIETARY AND CONFIDENTIAL**

THE INFORMATION CONTAINED IN THIS DRAWING IS THE SOLE PROPERTY OF NORDIC FIBERGLASS, INC. ANY REPRODUCTION IN PART OR AS A WHOLE WITHOUT THE WRITTEN PERMISSION OF NORDIC FIBERGLASS, INC. IS PROHIBITED.